

Survey Paper on Android Application for Society Security System

Ravina Solanke¹ Shubhangi Lohar² Jyoti Gadekar³ Akshay Taware⁴ Mrs. Kumkum Bala⁵

⁵Assistant Professor

^{1,2,3,4,5}Department of Computer Engineering

^{1,2,3,4,5}Bharati Vidyapeeth'S College of Engineering Lavale, Pune, India

Abstract— Wireless security is that the bar of unauthorized access or harm to MOBILE exploitation wireless networks Systematic answers for society security. The aim of this paper is to investigate a cost effective solution that will provide controlling of society security easily and will also enable home security against intrusion in the absence of home owner. The system uses latest wireless where crime is increasing and everybody wants to take proper measures to prevent intrusion. System can works on totally different wireless communications and latest three of ten mobiles uses for security purpose. The proposed system characteristics involve QR scanner, intrusion detection, system security. Communication like Bluetooth, Infrared and Wi-Fi access to the system for security and automatic appliance management. Society security has been a major issue.

Keywords: Mobile, Internet, SMS, Society Management, Flat owner, QR code

I. INTRODUCTION

Wireless security is the prevention of unauthorized access or secure to mobile using wireless networks Systematic solution for society. The aim of this project is to research a price effective answer which will offer dominant of society also will alter society security against intrusion in the absence of home owner.

The system uses latest wireless communication like Bluetooth, Infrared and Wi-Fi access to the system for security and automatic appliance management. Home security has been a heavy issue where crime is increasing and everybody has to need correct measures to forestall intrusion.

In society all jobs are decided in meetings and contact no of members are noted in the papers. There is no machine-driven system for doing all the items that usually happen in society in order that members will return to understand what's happening in society.

This system of maintaining a society is made in such a way so that the most common problem faced by residential societies are solved. This system is a cloud-based system to manage the day - to - day activities of any cooperative housing society.

They need the coordination between the various management societies let alone the vendors which give these Services in order that the acceptable convenience are often provided

II. OBJECTIVE

System will works on different wireless communications and latest mobiles application society for security purpose. The proposed system characteristics involve QR code scanner intrusion detection system security the main objectives of the system are as follow:

To develop home security system that

- 1) Crime can be prevented by taking rapid action.

- 2) Capturing images.
- 3) Safety of children's will be protected by authorization and authentication of a system.
- 4) Efficient communication will take place by using wireless communication technology.
- 5) Users can store and view data on internet.

III. MOTIVATION

The primary goal of investigative study was to create awareness regarding the safety measures one can take in day-to-day life. And the secondary goal was to emphasize on requirement of advanced Society security system which will make your home more crime resistant.

IV. EXISTING SYSTEM

To overcome the drawbacks of the existing system, here we provide a smarter and efficient way to handle the critical issues by reducing efforts and advancements in a reliable communication. Different functions in the society like Complaints regarding security Miscellaneous Contacts will available within a single sight so that user can observe it and make use of it whenever is necessary.

We propose an application which will be useful for all the society members to get constantly update with society related information.

This System allows tolog in for staff/security/ owner with unique QR code containing their name, password, address, phone number Society members can know the society maintenance amount and get SMS notification for the same. Once data is saved, history of all last visitors is stored in the database. It will be the very much reliable way of communication.

Each technician is assigned with QR code details. The flat owners can report coming guests so that they do not have put the entry in society database. This application provides an easy solution for management and maintains the daily functions within society in more disciplined and easy way. It is the smarter efficient way of communication between society residents and higher authorities.

Crime can be prevented by taking rapid action. Safety of children's will be protected by authorization and authentication of a system. Efficient communication can present itself by victimisation wireless communication technology Users will store and examine information on net.

V. PROPOSED SYSTEM

To overcome the drawbacks of the existing system, here we provide a smarter and efficient way to handle the critical issues by reducing efforts and advancements in a reliable communication. Different functions in the society regarding security Miscellaneous Contacts will available within a single sight so that user can observe it and make use of it whenever is necessary.

When new visitor come in your society then security guard scan the image of that person and scan the vehicle number plate. This data save to database on cloud this database send to the respective flat owner then this flat owner decide accept or reject the approval of that person suppose flat owner accept the request of visitor then security guard generate the QR code with time bound generated QR code should be unique.

This unique QR code should not be use another visitor. Person should enter with this QR code with respective flat. In case person want to live more time then extend the time of QR code with approval of flat owner.

We propose an application which will be useful for all the society members to get constantly update with new visitor related information. This System allows to log in for staff/security/flat owner with unique QR code containing their name, password, address, phone number. Once data is saved, history of all last visitors is stored in the database. It will be the very much reliable way of communication.

Each visitor is assigned with QR code details. The flat owners can report coming guests. This application provides an easy solution for management and maintains the daily functions within society in more disciplined and easy way. It is the smarter efficient way of communication between society residents and higher authorities.

IN case crime can be prevented by taking rapid action. Safety of children's will be protected by authorization and authentication of a system. Efficient communication can present itself by exploitation wireless communication technology Users will store and examine information on net.

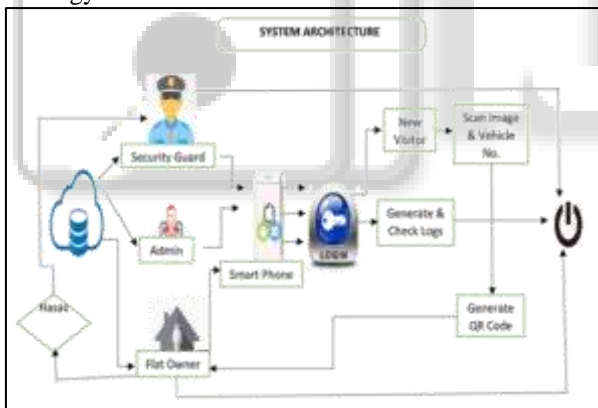


Fig. 1: System architecture

VI. LITERATURE SURVEY

A. Society management Application on Android

In the existing society management system a traditional way of communication is used which include a common notice board system operated by responsible society member. The data is keep within the files and also the process of the information is finished manually and also the report generation is slow. Our Proposed System provides to overcome the drawbacks of the existing system, here we provide a smarter and efficient way to handle the critical issues.

B. An Investigative Study for Smart Home Security

Home security ought to be a prime concern for everybody who owns or rents a home. Moreover, safe and secure

residential area is that the necessity of each individual as most of the relations area unit operating.

C. Wireless home security system with mobile

Wireless security is that the bar of unauthorized access or injury to MOBILE exploitation wireless networks Systematic resolution for home. The aim of this paper is to analyze a value effective resolution that may offer dominant of home appliances remotely and can conjointly change home security against intrusion in the absence of home owner. Cost effective resolution that may offer dominant of home appliances remotely and can conjointly change home security against intrusion within the absence of home owner.

D. Total Society Security System

Society members can know the society Visitors and Guest get SMS notification for the authorized member. . It will be the very much reliable way of communication. Each technician is assigned an id card with QR code details. The flat owners can report coming guests so that they do not have put the entry in society register. We use this application to overcome cost and maintains for existing system

VII. SEQUENCE DIAGRAM

Sequence diagram is an interaction diagram that show processes operate with one another and in what order. Sequence diagrams are sometimes called event diagrams or event scenarios. The sequence diagram for the proposed system shows the interaction in between admin, system and database.

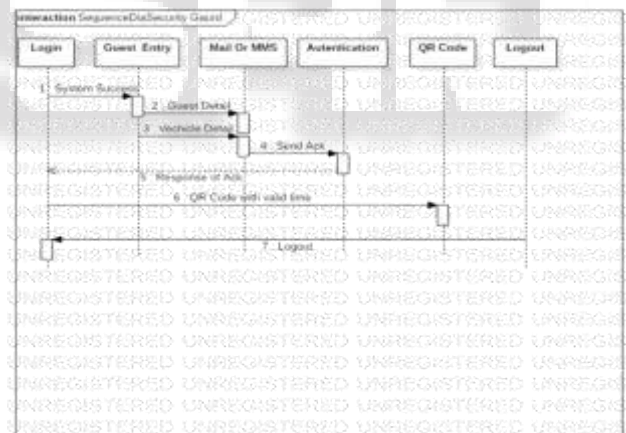


Fig. 2: Security Guard

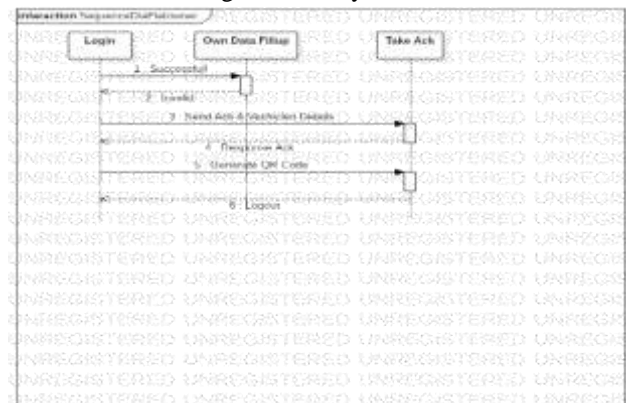


Fig. 3: Flat owner

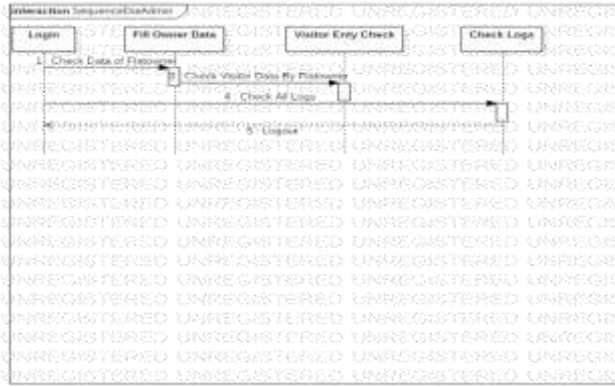


Fig. 4: Admin

VIII. IMPLANTATION PART



Fig. 5: Login Form



Fig. 6: Login Form Admin

IX. CONCLUSIONS

We are developing an android application for society security management to reduce the human efforts and errors to increase crystal clear transparency between society members and management.

It also helps to reduce the time and efforts for manual communication in society by providing the notifications and important information to the society members in the reliable and transparent way.

REFERENCES

- [1] N. Sriskanthan and Tan Karand. "Bluetooth Based Home Automation System". Journal of Microprocessors and Microsystems, Vol. 26, pp.281-289, 2002. Society management Application on Android

- [2] Muhammad IzharRamli, MohdHelmyAbdWahab, Nabila, "TOWARDS SMART HOME: CONTROL ELECTRICAL DEVICES ONLINE" ,Nornabihah Ahmad International Conference on Science and Technology: Application in Industry and Education (2006) An Investigative Study for Smart Home Security
- [3] Metropolitan Police. Advice on Burglary Prevention, http://www.met.police.uk/crimeprevention/docs/bumblebee_burglary_prevention.pdf.
- [4] Rutuja Vatharkarb, Pratiksha Patil, "Implementation of Society Management System: Societies", International Journal of Science and Technology, April 2016